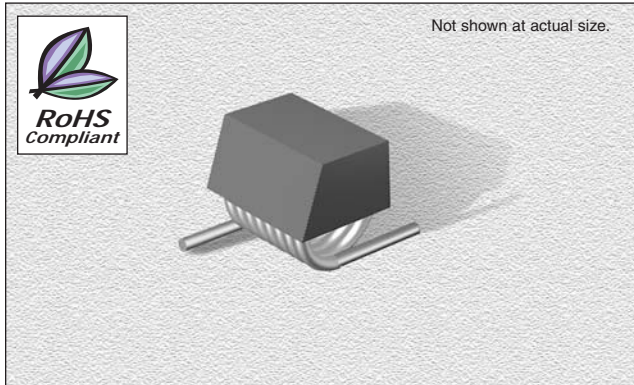


CTAF & CTBF Series

From 2.5 nH to 43 nH

ENGINEERING KIT #13



CHARACTERISTICS

- Description:** SMD air core "spring" inductor
- Applications:** Designed to operate a wide frequency range application. Also designed to operate in high Q applications.
- Operating Temperature:** -40°C to +85°C
- Inductance Tolerance:** ±2%, ±5%, ±10%,
- Testing:** Inductance is tested on an HP4286A at 150 MHz
- Packaging:** Tape & Reel
- Tape Size:** 12 mm wide CTA series, 16 mm wide CTB series
- Miscellaneous:** **RoHS Compliant.**
- Additional Information:** Additional electrical & physical information available upon request
- Samples available. See website for ordering information.**

SPECIFICATIONS

Please specify tolerance code when ordering.
 CTAF03T_ ← G = ±2%, J = ±5%, K = ±10%
 * = J or K Tolerance only.

Part Number	Inductance (nH)	# Of Turns	Q Fact. Min.	SRF (GHz)	DCR Max. (mΩ)	IDC Max. (A)
CTAF01TK	2.5	1	145	12.5	1.1	4
CTAF02T_*	5.0	2	140	6.5	1.8	4
CTAF03T_	8.0	3	140	5.0	2.6	4
CTAF04T_	12.5	4	137	3.3	3.4	4
CTAF05T_	18.5	5	132	2.5	3.9	4
CTBF06T_	17.5	6	100	2.2	4.5	4
CTBF07T_	22.0	7	102	2.1	5.2	4
CTBF08T_	28.0	8	105	1.8	6.0	4
CTBF09T_	35.5	9	112	1.5	6.8	4
CTBF10T_	43.0	10	106	1.2	7.9	4

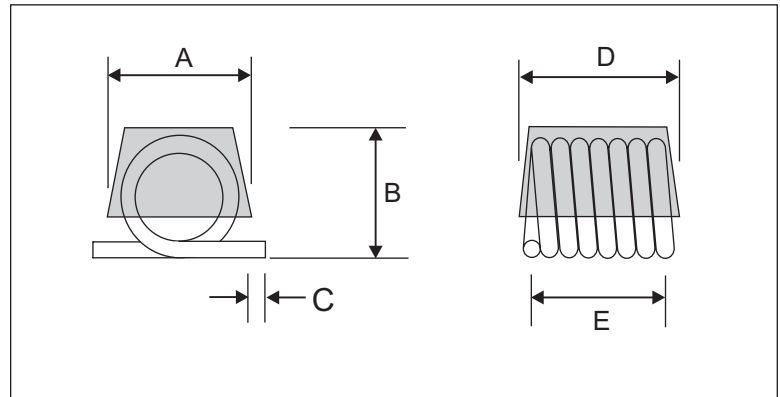
PHYSICAL DIMENSIONS

CTA SERIES

Size	A	B	C	D	E
mm	3.05	3.18	0.58±0.38	3.68	2.92±0.25
inches	0.12	0.125	0.023±0.015	0.145	0.115±0.01

CTB SERIES

Size	A	B	C	D	E
mm	3.05	3.18	0.58±0.38	6.86	5.84±0.25
inches	0.12	0.125	0.023±0.015	0.270	0.230±0.01



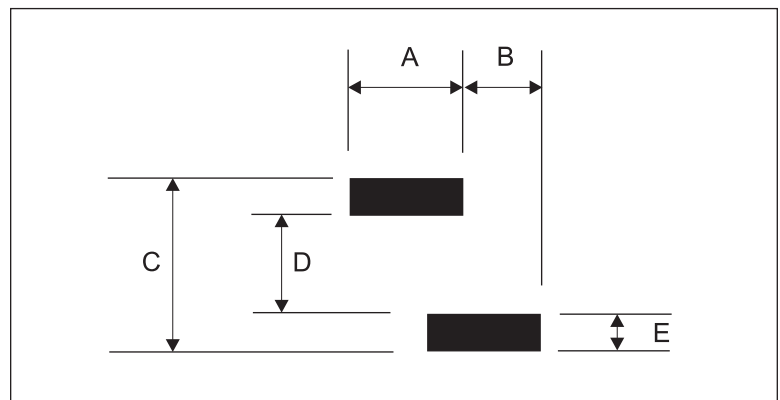
PAD LAYOUT

CTA SERIES

Size	A	B	C	D	E
mm	3.3	2.79	4.19	1.65	1.27
inches	0.13	0.11	0.165	0.065	0.05

CTB SERIES

Size	A	B	C	D	E
mm	3.3	2.79	7.24	4.7	1.27
inches	0.13	0.11	0.285	0.185	0.05



10.11.06